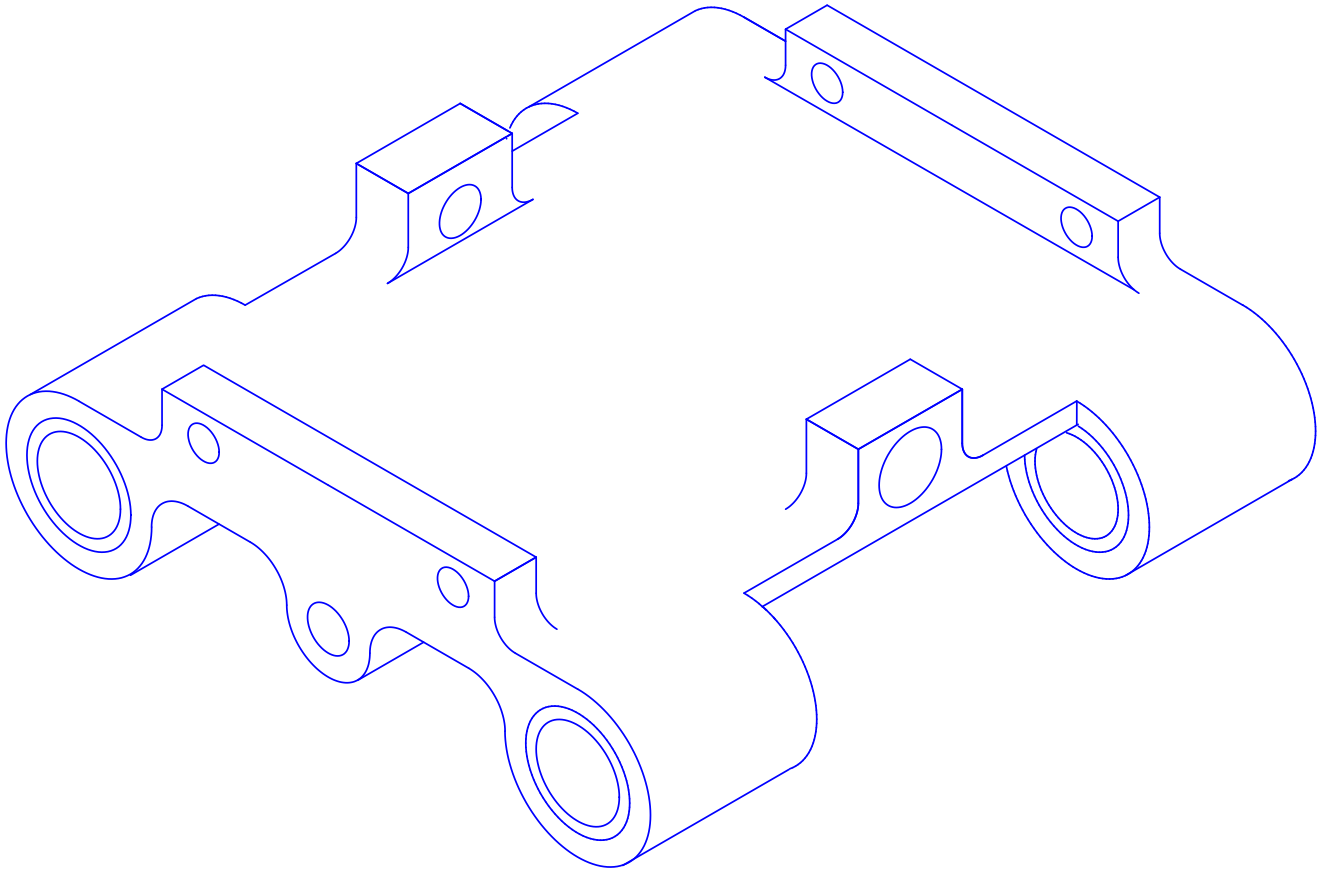


REV	REVISIONS			
	Sym	Description	Date	✓



TOLERANCES

.XXX ± .005 .XX ± .010
Angles: 0°30'0" TIR .001

Material
6061-T6

Finish
Black Anodize

Carriage

Kelly Case *A*

DWG SIZE